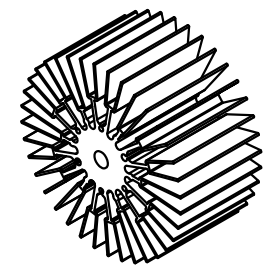
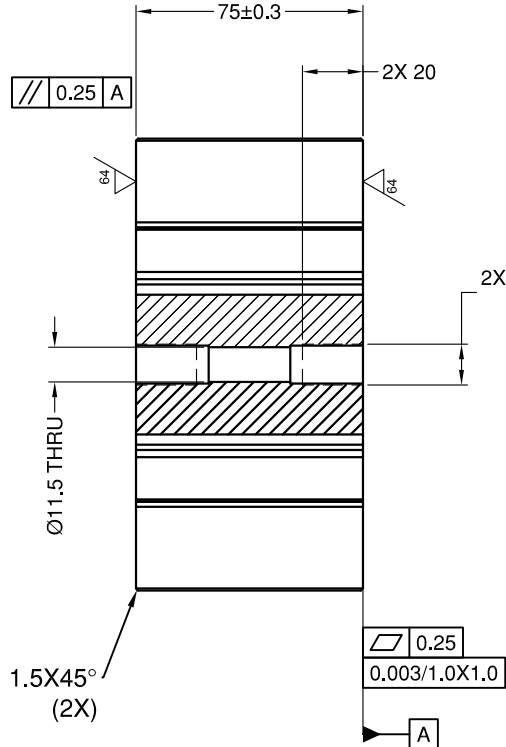
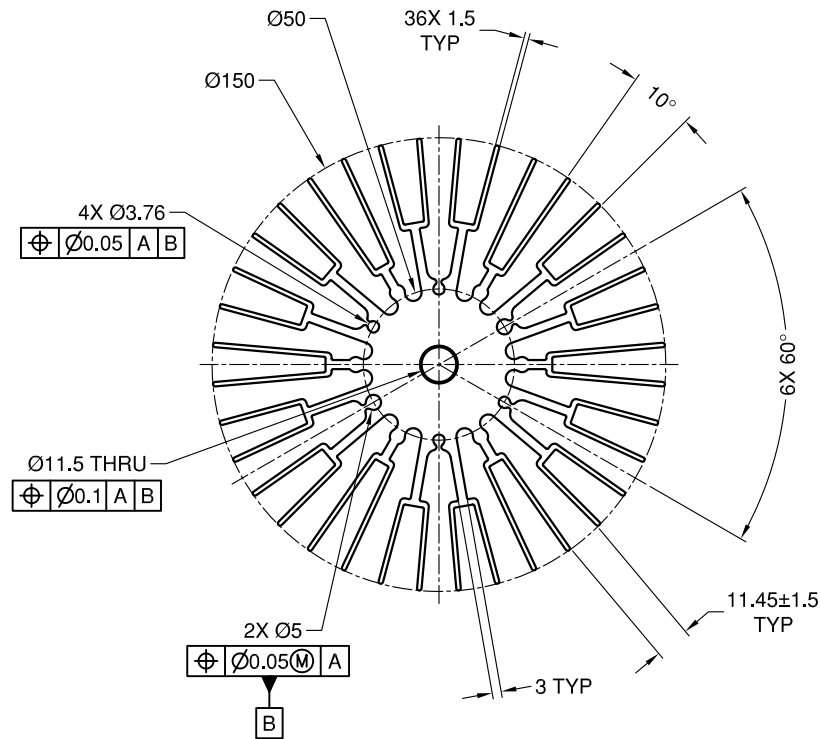


一般公差 (GENERAL TOLERANCES) : ISO-2768-M

≤6	>6~30	>30~120	>120~400	>400~1000	>1000	ANGLE
±0.1	±0.2	±0.3	±0.5	±0.8	±1.2	±1°

REV	DESCRIPTION	DRAWN	DATE
-	-	-	-



2X PG7(钢管用螺纹)  
DIN 40430标准

NOTES/注意 (UNLESS OTHERWISE SPECIFIED/除非另有说明):

1. 材质: AL6063-T5.
2. 表面处理: 阳极黑色.
3. 未注圆角R≤0.3.
4. 表面光洁无毛边(毛刺)、变形等.
5. 参考成品质量 = 952.20 克.
6. 此款产品无需减洗.

ALL MATERIAL TO BE RoHS COMPLIANCE  
全部的材质必须是符合RoHS

THIS DRAWING/DOCUMENT CONTAINS INFORMATION WHICH IS PROPRIETARY TO, AND IS THE PROPERTY OF FANTECH, AND MAY NOT BE USED, REPRODUCED OR DISCLOSED IN ANY MANNER, WITHOUT EXPRESS WRITTEN PERMISSION FROM FANTECH.

APPROVED	.	<p>FANTECH ELECTRONIC CO., LTD. Tel: +886-2-22110569 +86-0769-83977382 FAX: +886-2-22117464 +86-0769-83977383</p>	TITLE: HEAT SINK		
CHECKED	.		PART NO: PY0454-01		
DRAWN	CRACKL	UNLESS OTHERWISE SPECIFIED TOLERANCES ARE: SEE TOLERANCE BLOCK DO NOT SCALE DRAWING	CUSTOMER P/N: .		
DATE:	2009.03.12	THIRD ANGLE PROJECTION	UNIT: mm	SIZE: A4	REV: A0
				SCALE: 1:2.5	SHEET: 1 OF 1