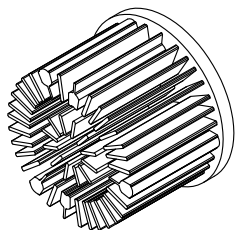
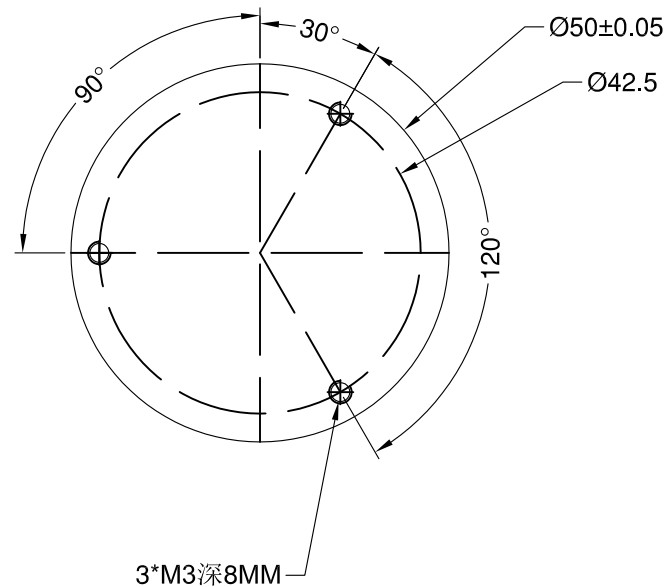
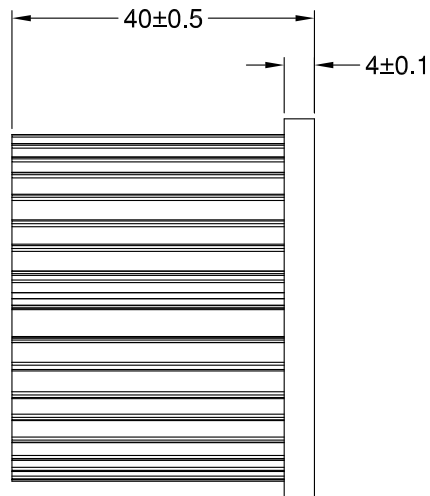
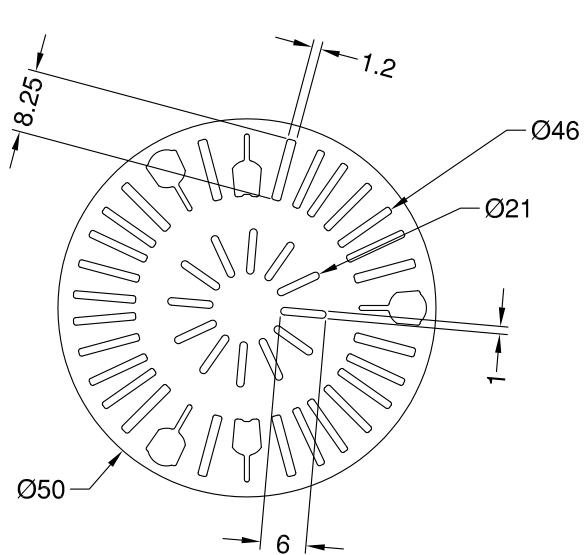


一般公差 (GENERAL TOLERANCES) : ISO-2768-M

≤6	>6~30	>30~120	>120~400	>400~1000	>1000	ANGLE
±0.1	±0.2	±0.3	±0.5	±0.8	±1.2	±1°

REV	DESCRIPTION	DRAWN	DATE
-	-	-	-



NOTES/注意:

1. 材质: AL1070。
2. 未注圆角 $R \leq 0.3$ 。
3. 表面光洁无毛边(毛刺)、变形等。
4. 重点尺寸标记: *。

ALL MATERIAL TO BE RoHS COMPLIANCE
全部的材质必须是符合RoHS

THIS DRAWING/DOCUMENT CONTAINS INFORMATION WHICH IS PROPRIETARY TO, AND IS THE PROPERTY OF FANTECH, AND MAY NOT BE USED, REPRODUCED OR DISCLOSED IN ANY MANNER, WITHOUT EXPRESS WRITTEN PERMISSION FROM FANTECH.

APPROVED	.	<p>FANTECH ELECTRONIC CO., LTD. Tel: +886-2-22110569 +86-0769-83977382 FAX: +886-2-22117464 +86-0769-83977383</p>	TITLE: HEAT SINK, D50		
CHECKED	.		PART NO: .		
DRAWN	CRACKL	UNLESS OTHERWISE SPECIFIED TOLERANCES ARE: SEE TOLERANCE BLOCK DO NOT SCALE DRAWING	CUSTOMER P/N: .		
DATE:	2011.08.17	THIRD ANGLE PROJECTION	UNIT: mm	SIZE: A4	REV: A0 SCALE: 1:1 SHEET: 1 OF 1